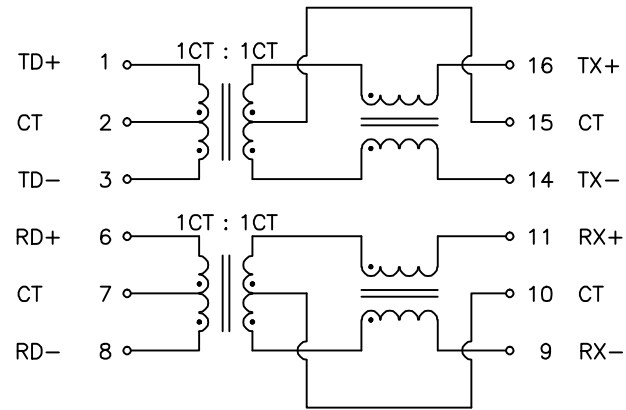


SUGGESTED PAD LAYOUT

UNLESS OTHERWISE SPECIFIED ALL TOLERANCES ARE ±0.25mm



- * OPERATING TEMPERATURE RANGE : -40°C~+85°C
- * RoHS COMPLIANT

ELECTRICAL SPECIFICATIONS @25°C:

1. TURNS RATIO : TX = 1CT : 1CT ±5%
RX = 1CT : 1CT ±5%
2. OCL (100kHz/0.1V WITH 8mA/DC BIAS) :
PIN 1-3 = 6-8 = 350uH MIN.
3. LEAKAGE INDUCTANCE : PIN 1-3 (PIN 16,14 SHORT) = 0.5uH MAX.
PIN 6-8 (PIN 11,9 SHORT) = 0.5uH MAX.
4. Cw/w : PIN 2-15 & 7-10 = 35pF MAX.
5. DCR : PIN 16-14 = 11-9 = 1.2Ω MAX.
6. INSERTION LOSS : 1-100MHz = -1.1dB MAX.
7. RETURN LOSS (@100Ω) : 1-30MHz = -18dB MIN.
40MHz = -14.4dB MIN.
50MHz = -13.1dB MIN.
60-80MHz = -12dB MIN.
8. DCMR : 1-100MHz = -30dB MIN.
9. CROSS TALK : 1-100MHz = -30dB MIN.
- △ 10. HI-POT : 1500Vrms, 1mA, 60SEC (PRI to SEC)

C	CHANGE HI-POT	06/14/2018	SHIRLEY	BETTY	BETTY		TITLE	10/100 BASE-TX PoE TRANSFORMER
B	ADD DIM.	11/14/2017	SHIRLEY	BETTY	BETTY		DWG. NO.	ATPL-046AR
A	ADD DIM.	09/15/2017	SHIRLEY	BETTY	BETTY			
	RELEASE	07/11/2017	SHIRLEY	BETTY	BETTY	UNITS:	M/M	SAFETY
NO:	DESCRIPTION	DATE	BY	CHK	APPD	DATE	07/11/17	P/N:
REVISIONS								SHEET 1 of 1
								DRAW SHIRLEY